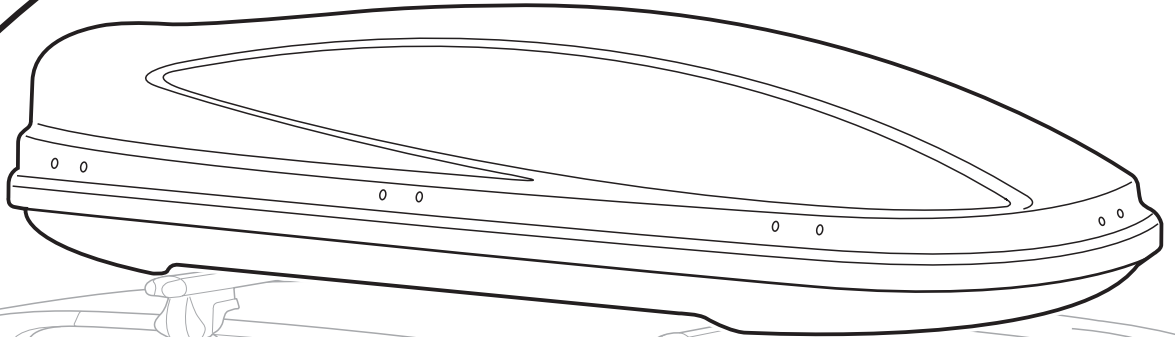


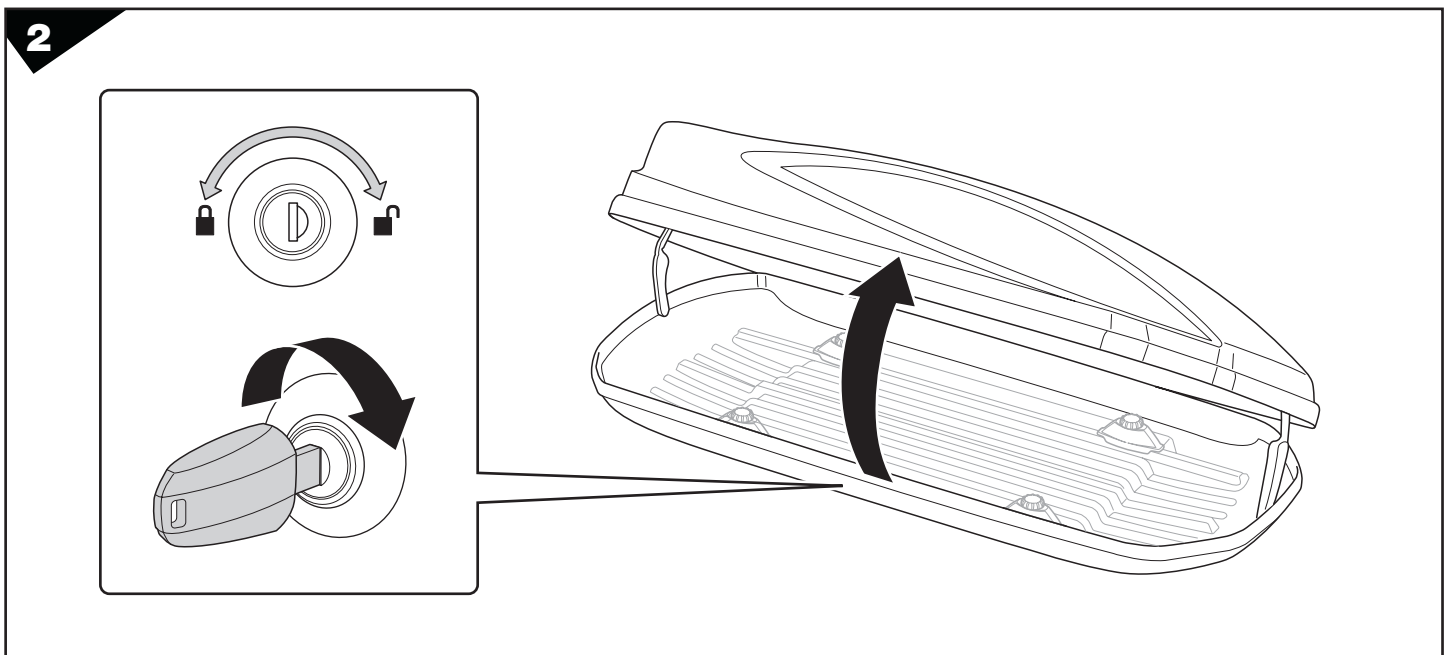
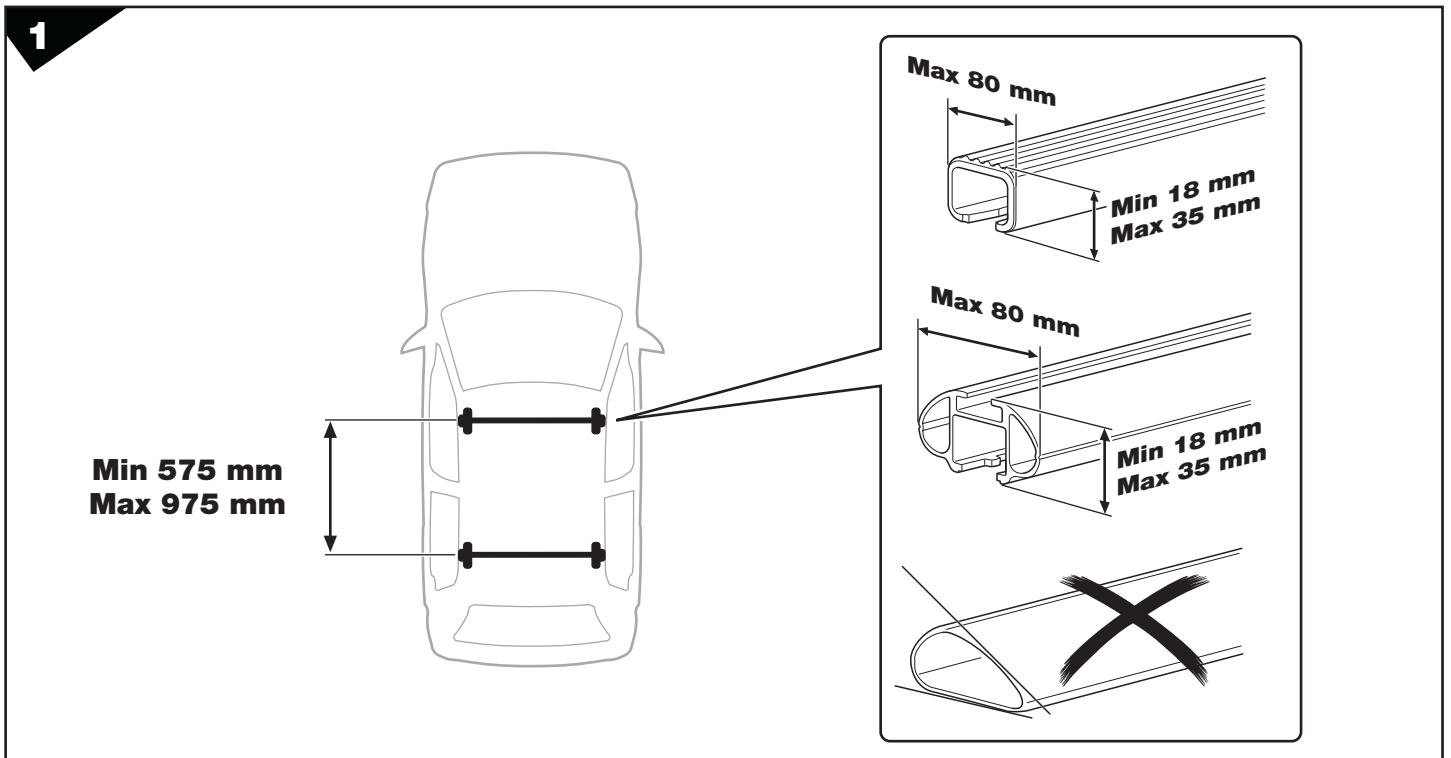
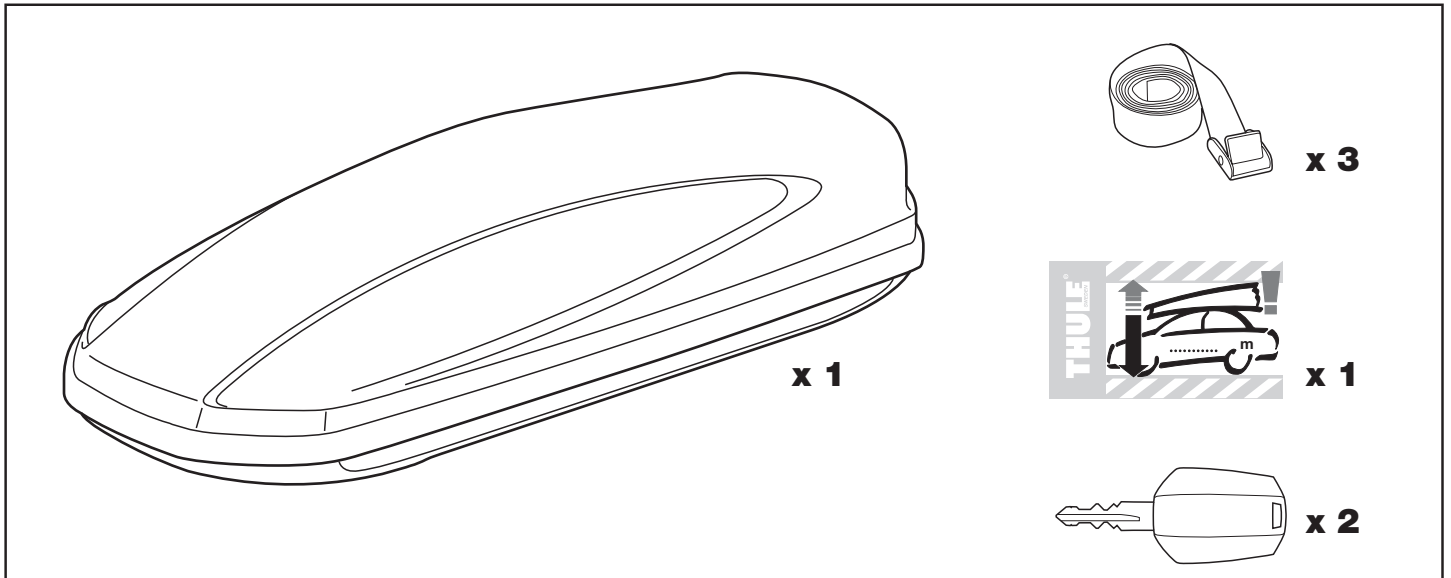
GB Fitting instructions
D Montageanleitung
F Instructions de montage
NL Montage-instructies
I Istruzioni per il montaggio
E Instrucciones de montaje
PT Instruções de Montagem
S Monteringsanvisning
FIN Asennusohje
EST Paigaldusjuhend
LAT Stiprināšanas instrukcija
LIT Pritvirtinimo instrukcijos
PL Instrukcja montażu
RU Инструкции по установке
CZ Návod na montáž

SK Návod na montáž
SLO Navodila za pritrjevanje
HR Uputa za sastavljanje
HU A felszerelés módja
GR Οδηγίες συναρμολόγησης
TR Montaj talimatları
中文 安装说明
日本語 取扱(取付)説明書
한국어 장착 지침
ไทย คำแนะนำการติดตั้ง

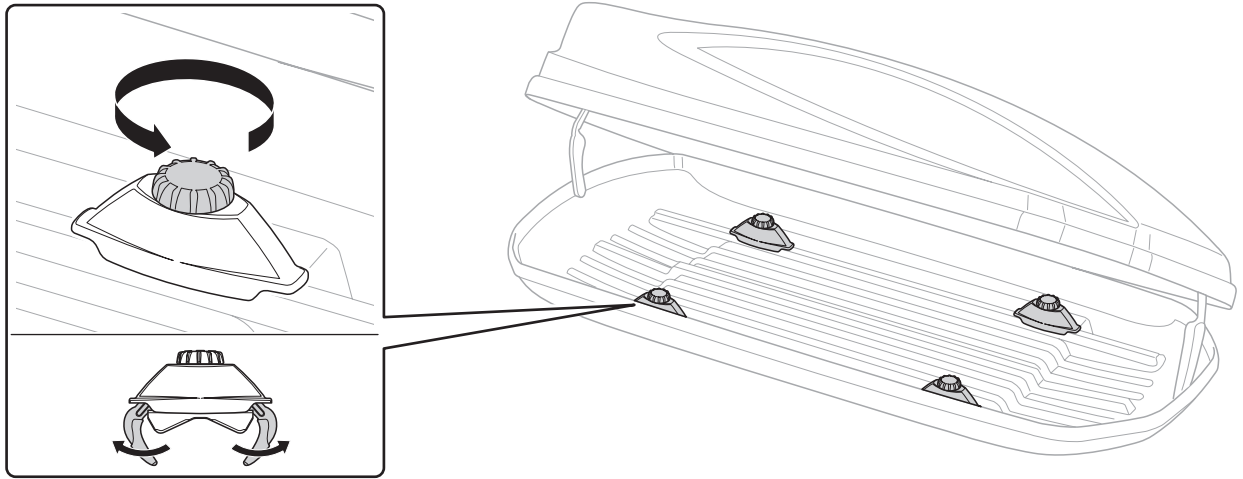


Atlantis
200, 600, 780, 900

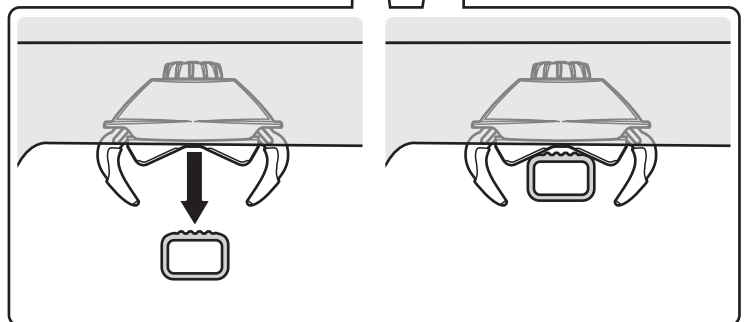
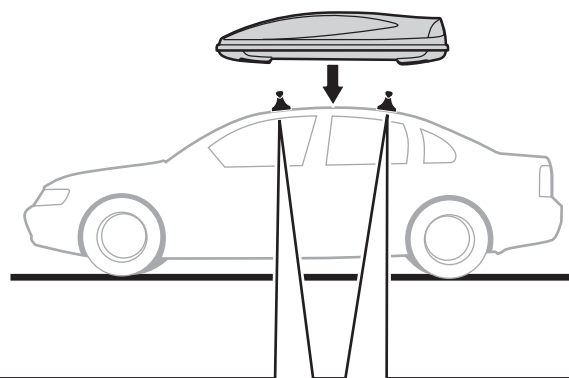
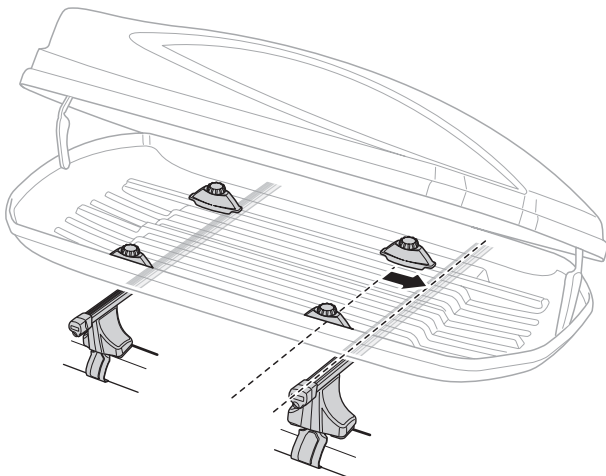
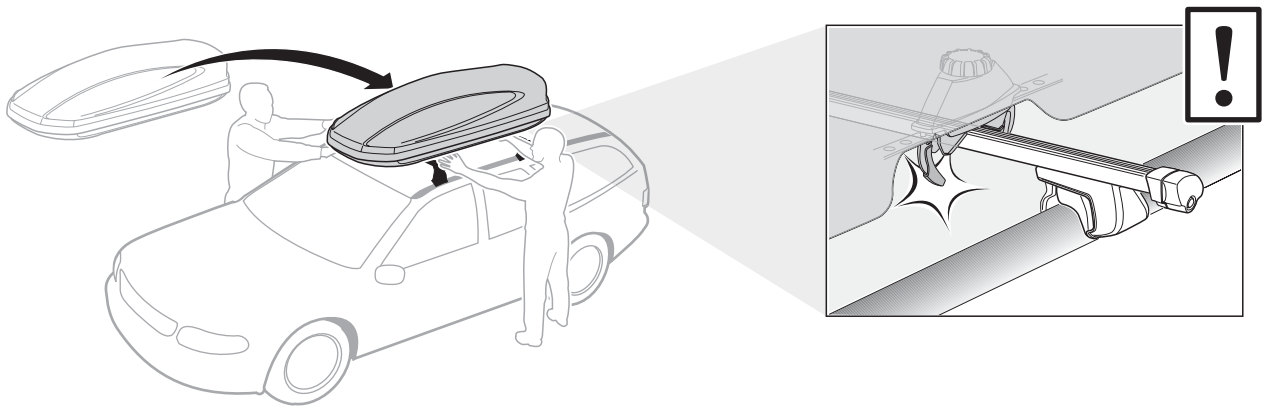
Follow me...



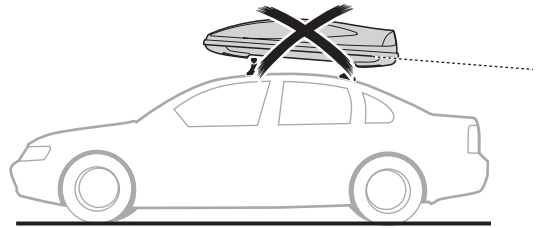
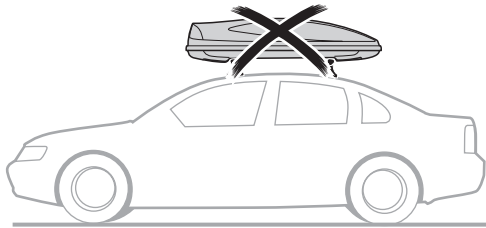
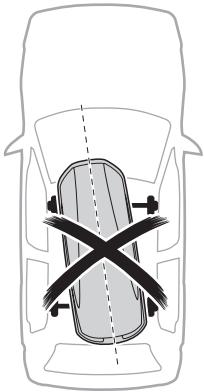
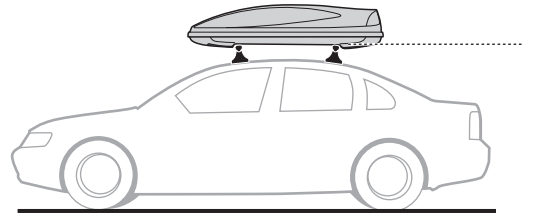
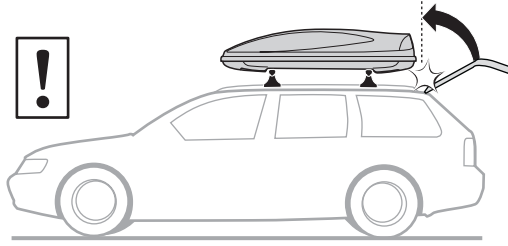
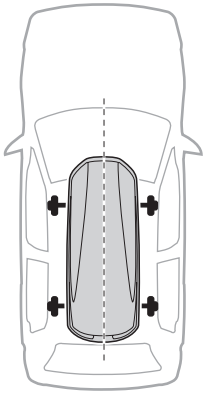
3



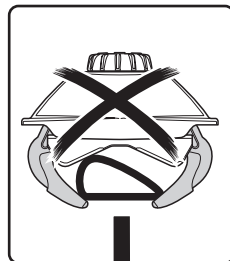
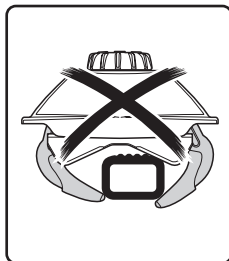
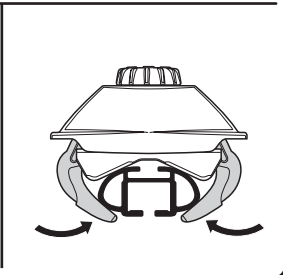
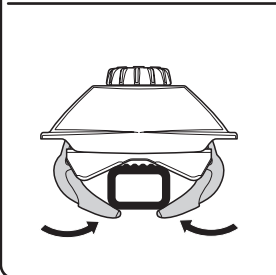
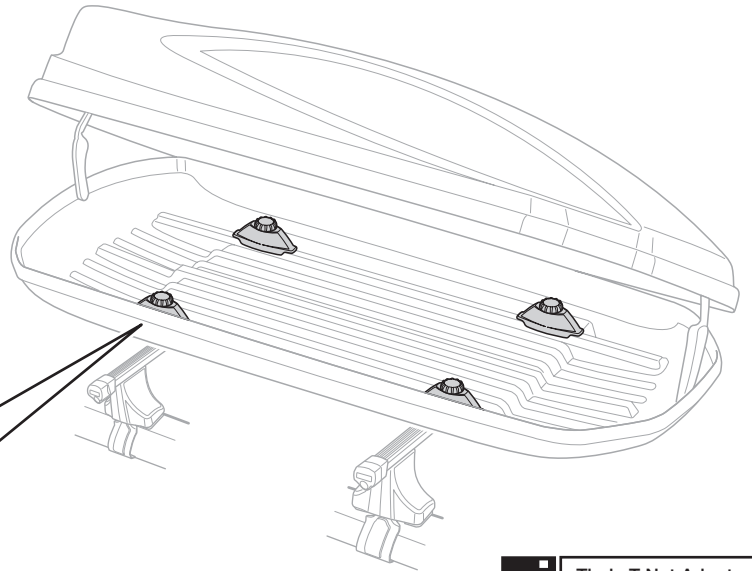
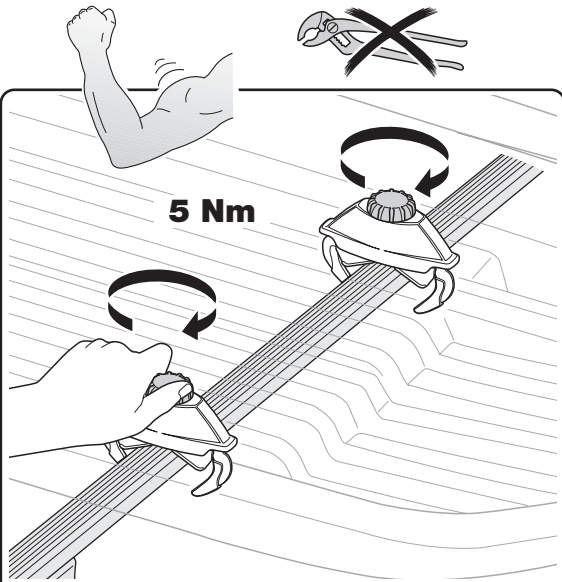
4



5



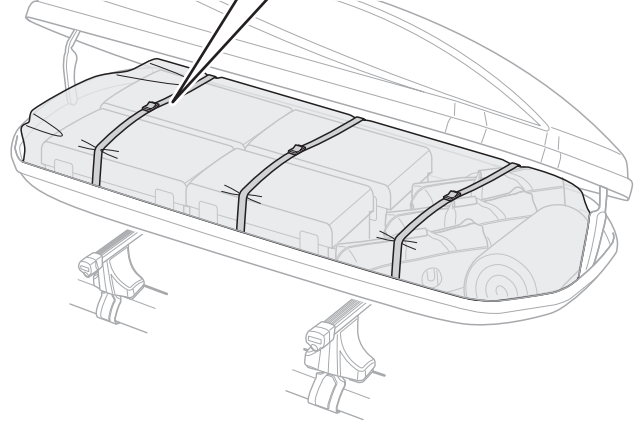
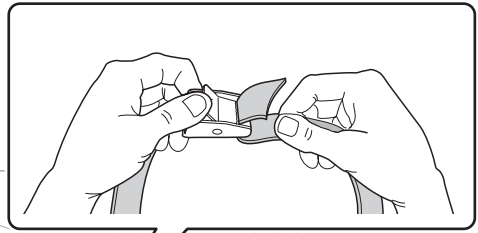
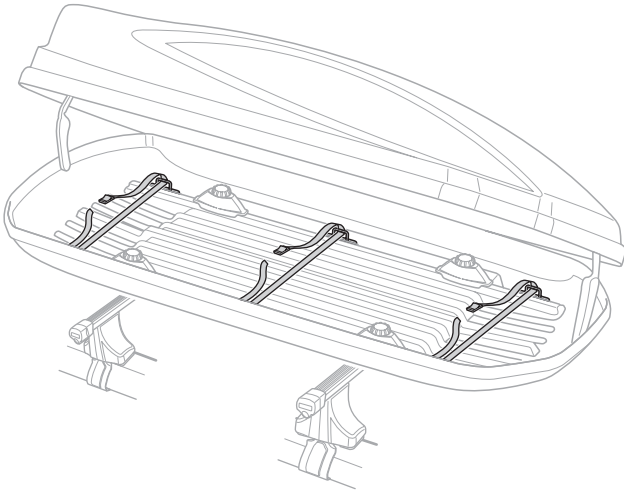
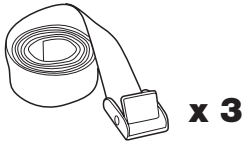
6



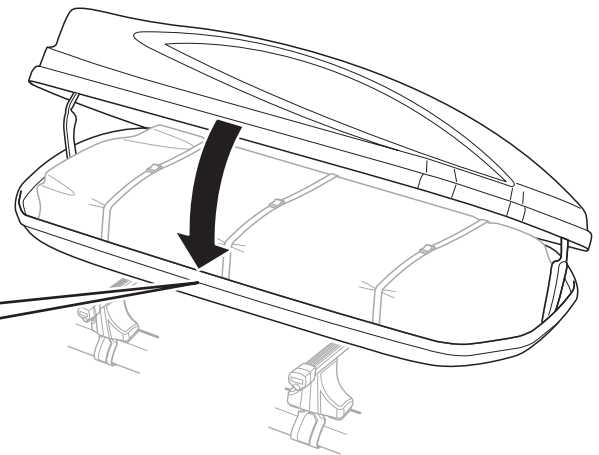
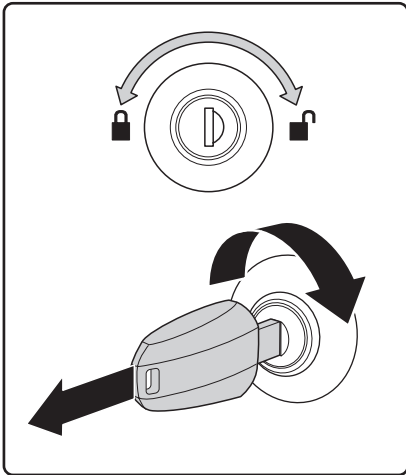
Thule T-Nut Adapter

696400
697400

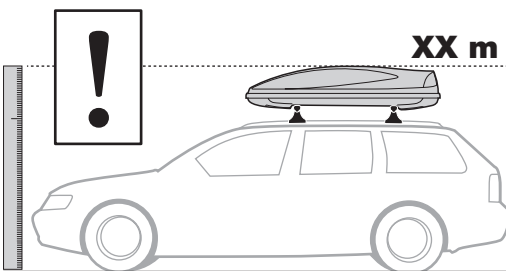
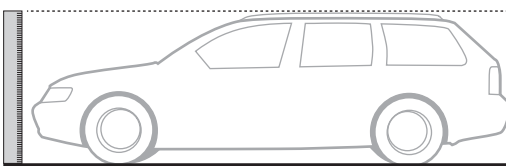
7



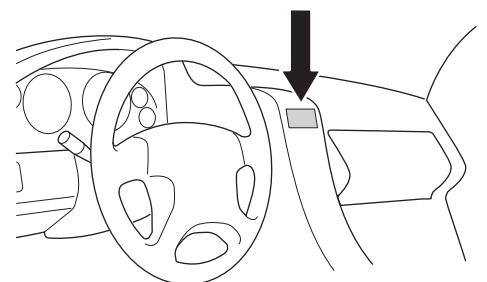
8



9



XX m



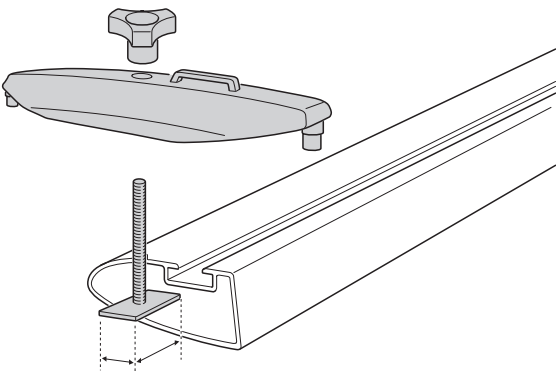
GB Accessories
D Zubehör
F Accessoires
NL Accessoires
I Accessori
E Accesorios
PT Acessórios

S Tillbehör
FIN Lisävarusteet
EST Lisavarustus
LAT Piederumi
LIT Priedai
PL Akcesoria
RU Аксессуары

CZ Doplnky
SK Príslušenstvo
SLO Dodatki
HR Dodaci
HU Tartozékok
GR Παρελκόμενα
TR Aksesuarlar

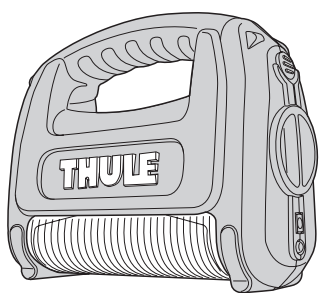
中文 附件
 日本語 付属品
 한국어 액세서리
 ไทย อุปกรณ์เสริม

Thule T-Nut Adapter

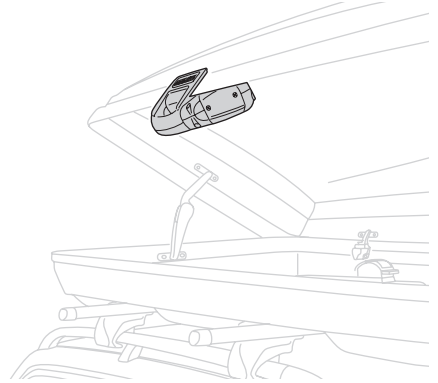


696400 → 24x30 mm
697400 → 20x20 mm

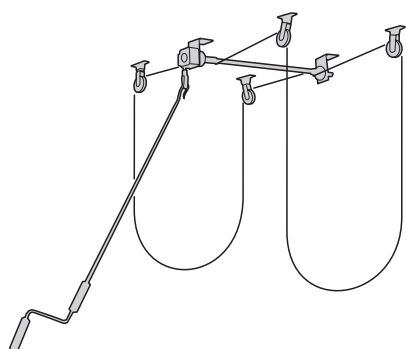
Thule Clamp Lamp



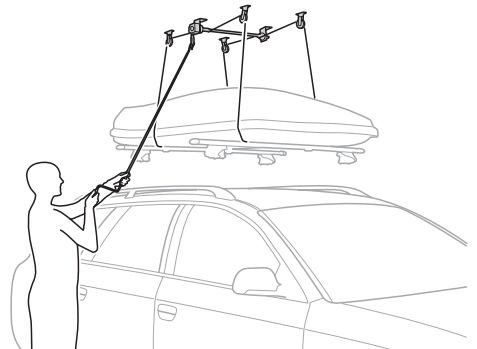
850
850000



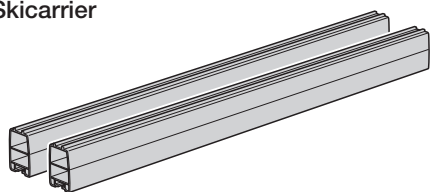
Thule Boxlift



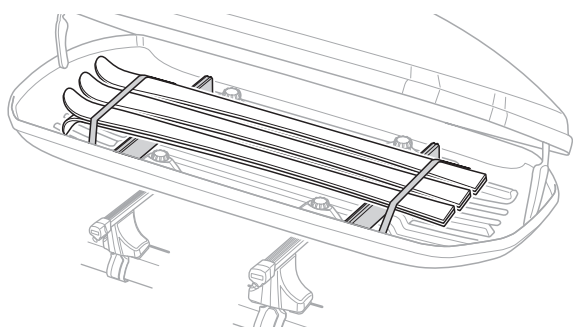
571
571000

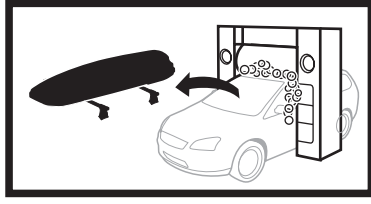
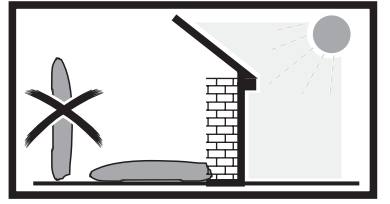
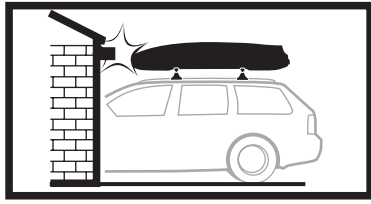
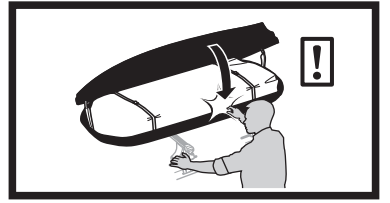
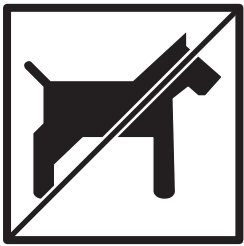
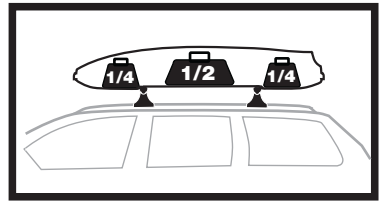
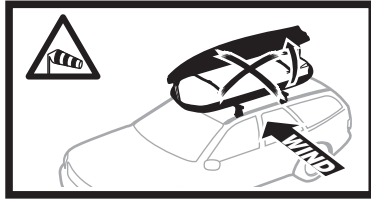
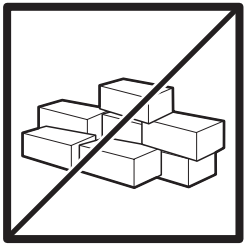
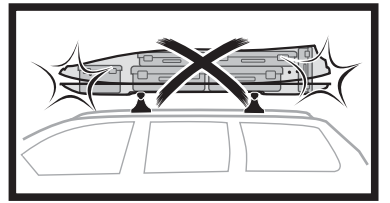
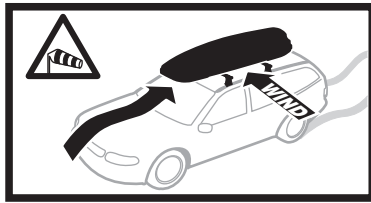
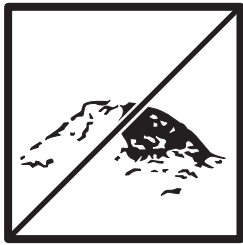
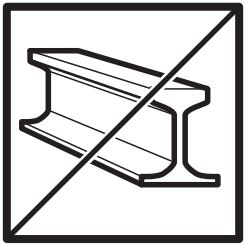


Thule Skicarrier



694600 → Thule Atlantis 600
694800 → Thule Atlantis 780
694900 → Thule Atlantis 900






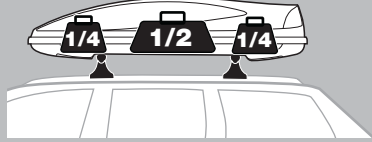
THULE
ONE
KEY
SYSTEM

- 544 (x4)
- 596 (x6)
- 588 (x8)
- 452 (x12)

1. Insert the key into the lock cylinder at a 45-degree angle.
2. Turn the key clockwise to the first stop.
3. Turn the key counter-clockwise to the second stop.
4. Turn the key clockwise to the third stop.
5. Insert the pin into the lock cylinder.
6. Turn the key clockwise to the fourth stop.
7. Turn the key counter-clockwise to the fifth stop.
8. Turn the key clockwise to the sixth stop.



Atlantis **200**: 17 kg
 Atlantis **600**: 16 kg
 Atlantis **780**: 18 kg
 Atlantis **900**: 26 kg



**Max.
75 kg**

Kaufdatum/Date of purchase:

Kassenzettel hier abheften
 Place receipt here

Händler/Dealer:

Stempel/stamp

Ihre Schlüsselnummer
 Your Key-Number

